

Skyline Banner Stand

With Graphic Exchange System

exhibiting solutions



Big On Impact and Flexibility: Skyline Banner Stand

Make an impact anywhere you need a big graphic in a small space. Skyline's Banner Stand is lightweight, convenient and flexible to fit your changing needs.

Easy to Change Graphics

Our unique exchange system allows you to update or change your graphic to target specific audiences.

Available in Two Widths

Choose from our standard 34" unit or our wider 48" unit that can be used as a full banner stand, a tabletop display – or both.

Carrying Case and Shipping Case

Our soft-sided carrying case has straps for easy transport and our telescoping case provides versatility and protection.

Fulfills Multiple Needs

Banner stands are great for trade shows, events, retail areas, lobbies and more.



Skyline produces its graphics in-house for the best quality and fit – guaranteed.

Unique Graphic Exchange System!



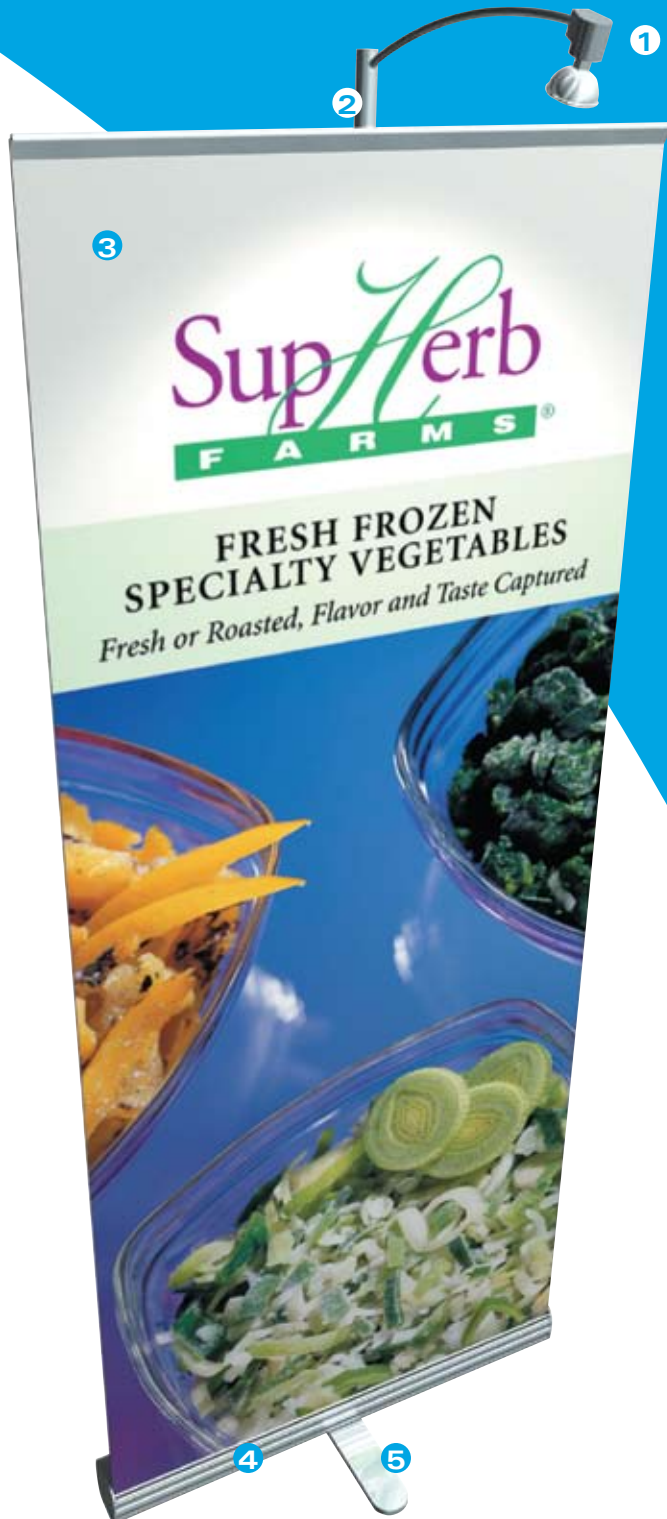
Lift the Exchange System up from base.



Slide one graphic off and the other on.



Lower the Exchange System back into base.



1 Halogen Lighting - 50 Watt
Simply attaches to support pole and highlights your graphic.

2 Graphic Support Pole
Sections are conveniently shock-corded for easy set up.

3 Graphic Panel
Vibrant and durable! Choose from laminated print, dye-sub fabric or UV graphics on vinyl.

4 Spring-Loaded Base
Protects your graphic during transportation and storage. The base also contains a **Graphic Exchange Strip** (below) which allows you to easily change your graphics on-site.



5 Support Stand
Simply swivels open during use and back for streamlined packing.

Banner Stand

Specifications



Our 48" wide unit can be designed for use as a full banner stand and a tabletop.

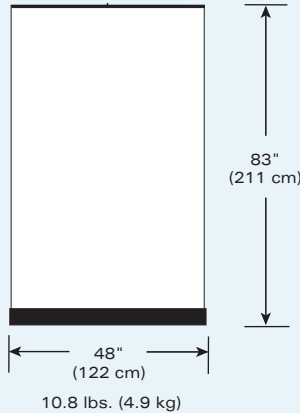


Units can be used separately or joined to become an effective in-line exhibit at trade shows and events.

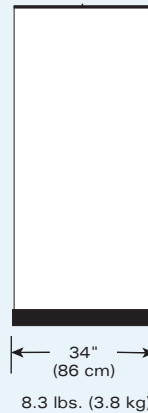


Multiple units ensure brand consistency throughout your network of dealers and associates.

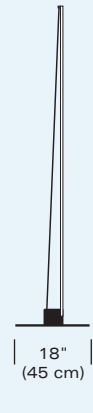
Wide



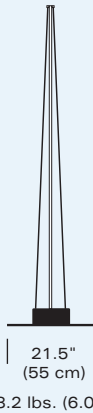
Standard



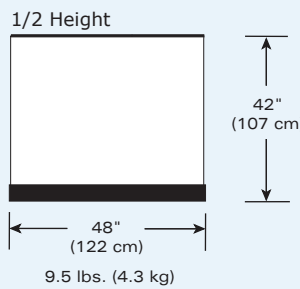
Single (Side view)



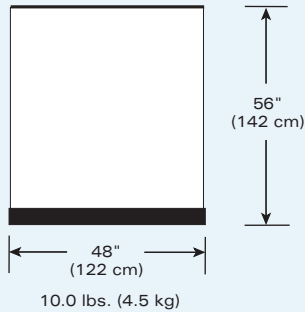
Double (Side view)



Tabletops



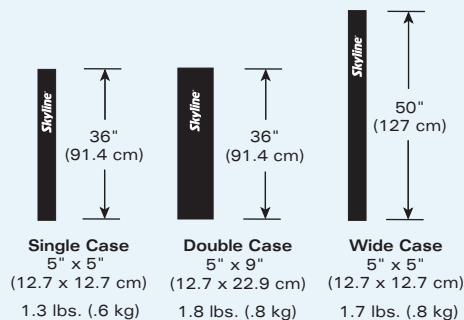
2/3 Height



Note: Actual graphic sizes vary depending on material.

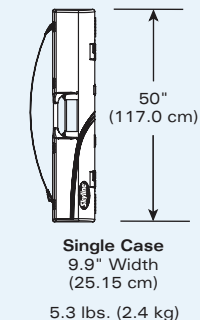
Carrying Cases

Soft-sided case with strap



Hard Shipping Case

Includes shoulder strap and handles



Skyline Exhibits Northern California
44111 Fremont Blvd.
Fremont, California 94538

1-800-217-5444
1-510-490-9900 Local

www.skybay.com

Skyline Exhibits Northern California
1123 N. Market Blvd.
Suite 4 Sacramento, CA 95834

1-800-217-5444
1-916-928-1500 Local

www.skybay.com